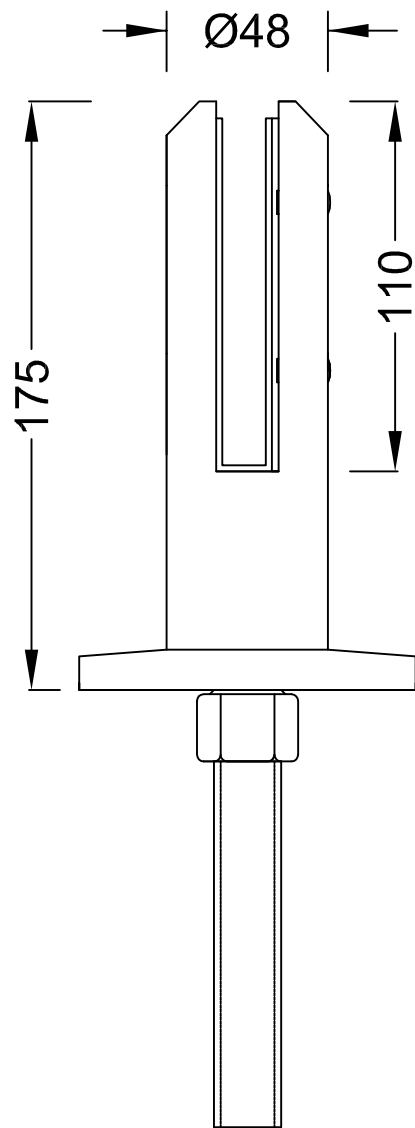


Core Drill Glass Spigot Model R4



According to Australian Standard AS1926.1-2007, we suggest frameless glass not less than 1000mm high for balustrade, 1200mm for pool fence.

Distance from the spigot to the edge of the glass is 250mm maximum.

Spacing distance between 2 spigots is 1000mm maximum. For wider glass panel we recommend to use with 3 stainless spigots.

