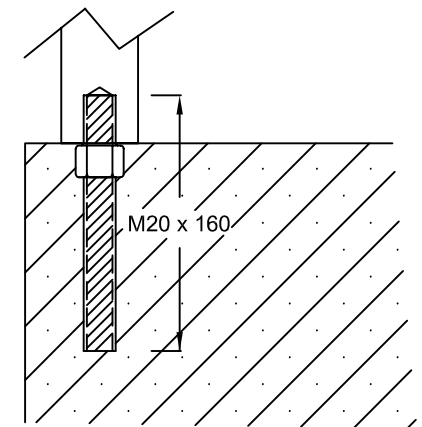
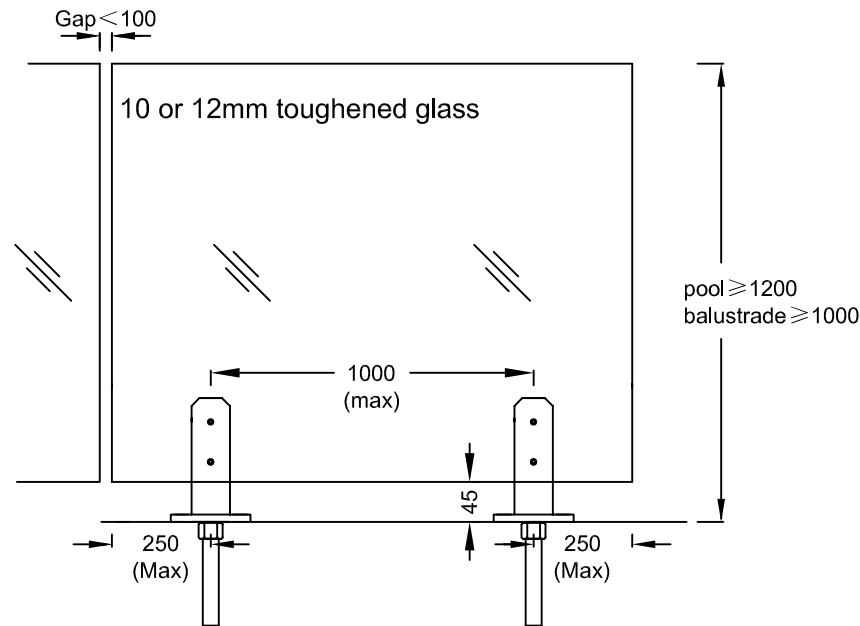
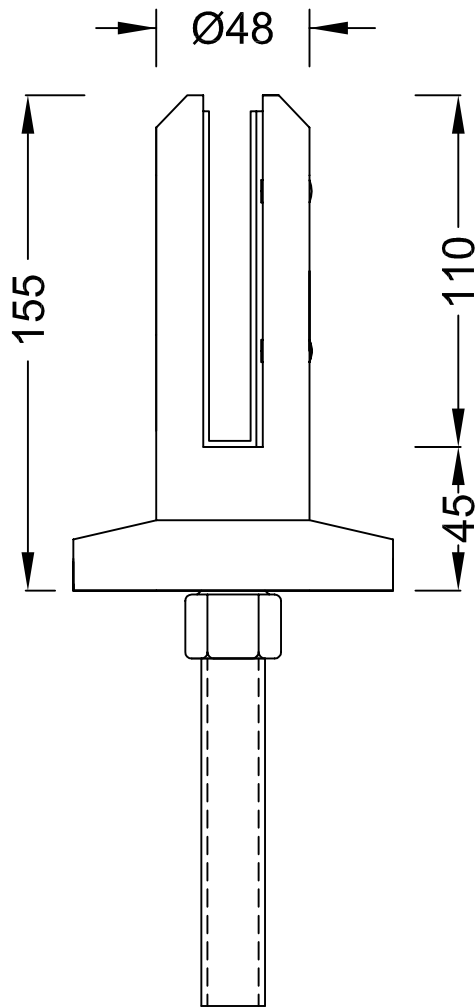


## Core Drill Glass Spigot Model H4

Based on Australian Standard AS1926.1-2007/ AS1288 & AS1926, we suggest toughened glass not less than 1000mm high for balustrade, 1200mm for pool fence. Maximum distance from the spigot to the glass edge is 250mm. Spacing distance between 2 spigots is 1000mm maximum. For wider glass panel we recommend to use with 3 spigots.



Design by ALB Hardware